

# IP50HD



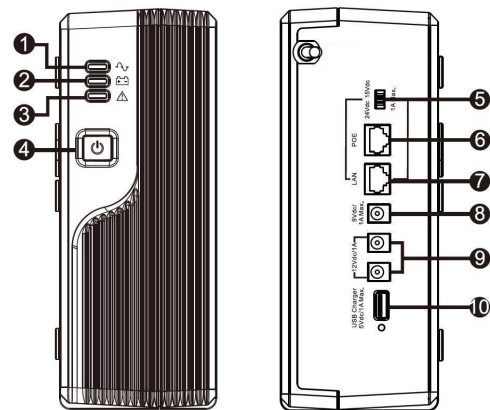
## DC UPS System



DC UPS system with universal input voltage and multiple DC output voltages. Suitable for any DC application to 50W total loading. Particularly useful for fibre Optical Network Termination units (ONT) and other network devices where uptime is essential.

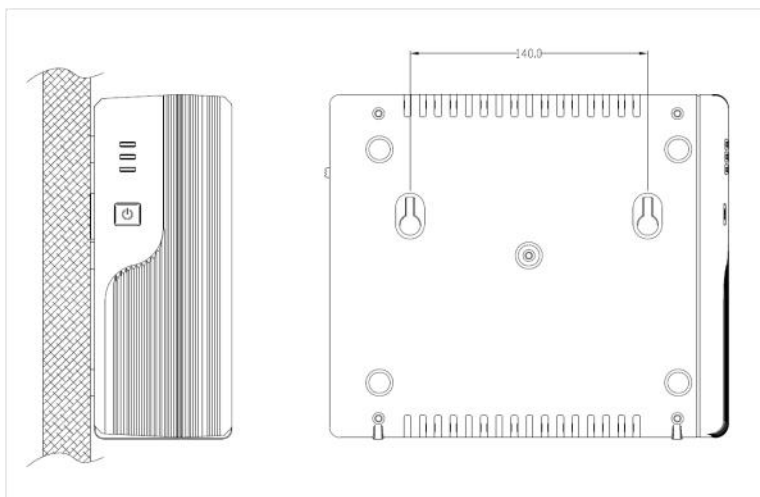
### FEATURES

- ◆ Multiple DC Outputs
- ◆ Universal Input Voltage
- ◆ Cold Start Function
- ◆ Wall-mount design
- ◆ Microprocessor based intelligent control
- ◆ Auto restart on AC recovery



Front Panel

Rear Panel



- 1 LINE indicator
- 2 BACKUP indicator
- 3 FAULT indicator
- 4 ON/OFF switch
- 5 15Vdc/24Vdc switch
- 6 PoE
- 7 LAN
- 8 9V output
- 9 12Vdc output
- 10 5Vdc USB

*Not all outputs are available on all models*

# SPECIFICATIONS

Model	IP50HD
Capacity (Watts)	50

## INPUT

Voltage	230Vac
Voltage Range	85-264Vac
Frequency Range	50-60Hz
Input Connection	BS1363 plug on 1m fitted input cord

## OUTPUT

Output socket	DC socket*1	DC socket*2	POE*2	USB*1
Socket Type	2.1mm?	2.1mm?	RJ45	USB Type A
Output Voltage	9Vdc	12Vdc	15/24Vdc	5Vdc
Regulation	± 5%	10V to 13.8V	± 5%	± 5%
Output power/current	9W/1A	12W/1A	24W or 15W / 1A	5W / 1A
Transfer Time	0ms			

## BATTERY

Battery Voltage / Capacity	12V/7Ah*1
Maximum Charge Current	0.7A
Typical Recharge Time	6-8 hours recover to 90% capacity

## INDICATORS

AC Mode	Solid green LED lighting
Battery Mode	Solid green LED lighting
Fault	Solid red LED lighting

## PROTECTION

Full Protection	Short circuit, Overload, Overcharge and overdischarge protection
-----------------	--

## ALARM

Battery mode	Sounding every 10 seconds
Low Battery	Sounding every second
Overload	Sounding every 0.5 seconds
Fault	Continuously sounding

## PHYSICAL

Dimension D*W*H(mm)	235*83*206
Weight (kg)	3.2

## OPERATING ENVIRONMENT

Humidity	0-90% @ 0-40°C (Non condensing)
----------	---------------------------------

## MANAGEMENT

Communication port	N/A
--------------------	-----

Power Inspired Ltd. Unit 122 Churchill Road, Bicester, Oxfordshire, OX26 4XD, UK.  
T: +44 1869 814055; W: www.powerinspired.com; E: info@powerinspired.com

Although every effort is made to ensure accuracy of this document, information is provided for guidance only and does not form part of any contract. Specifications are subject to change without notice.